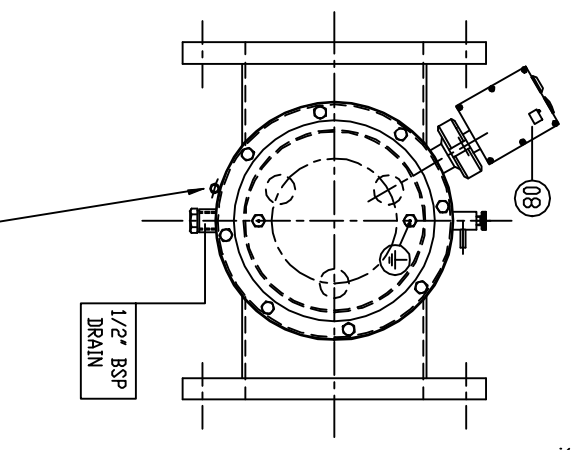
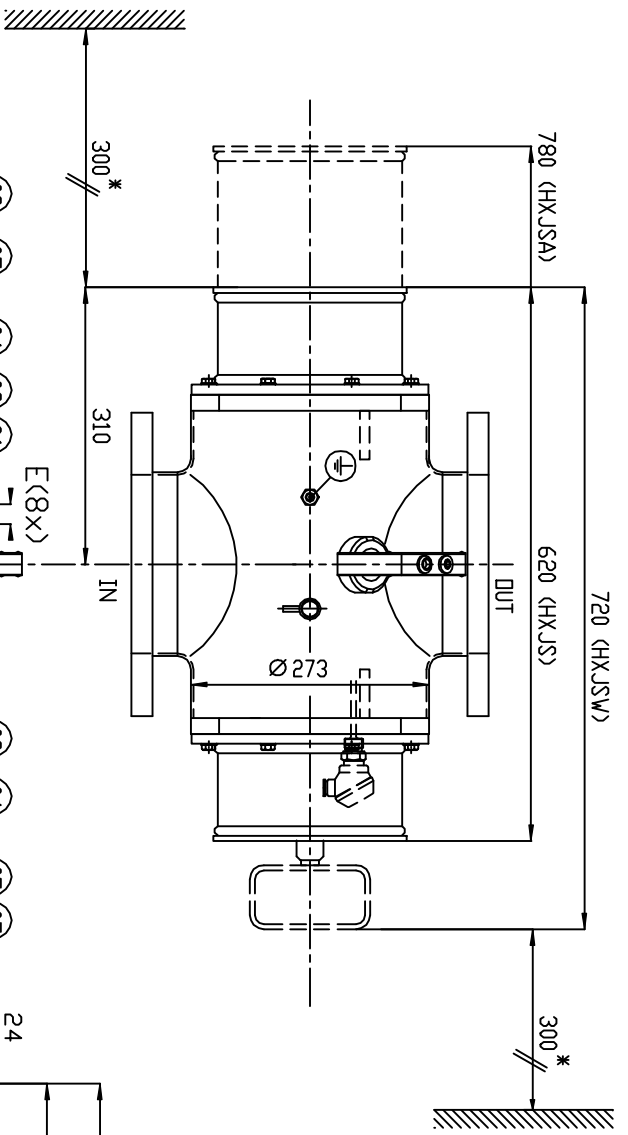
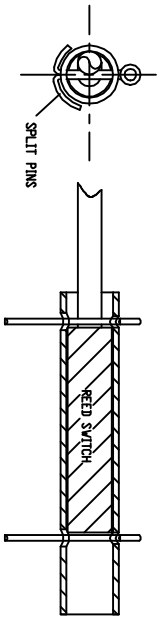
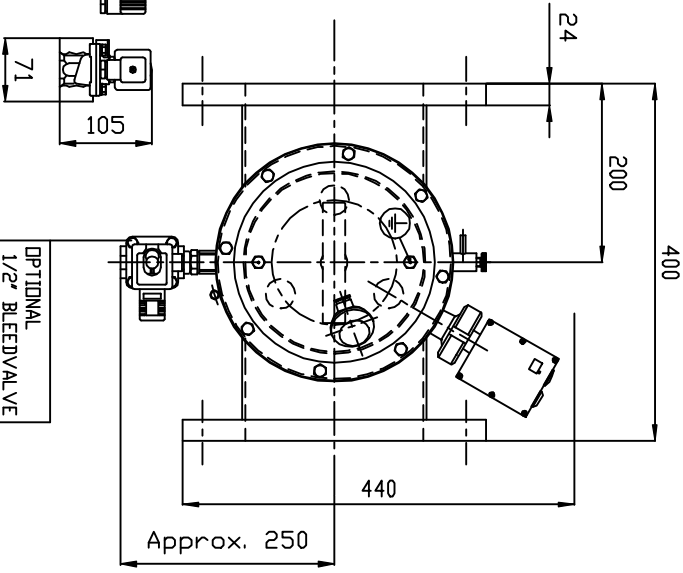
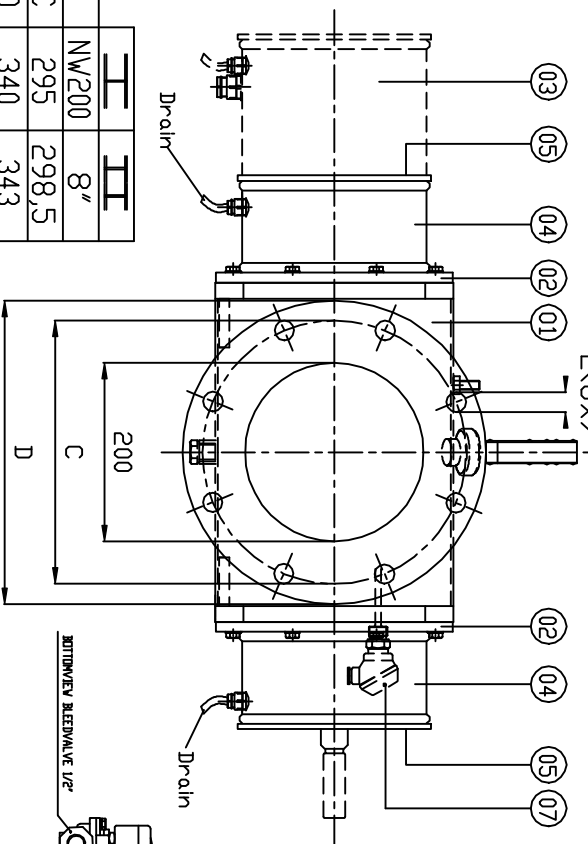


* FREE SPACE NECESSARY FOR SERVICE AND OPERATION OF MANUAL CLEANING MECHANISM



	II	II
C	NW200	8"
D	295	298,5
E	340	343
	22	22,4



rev.	date	appr.
01	11-03-97	
02	27-01-00	

scale: 1:6	date: 26-06-96	description:
unit: mm	drawn: A.F.	berson InLine® 750
	appr:	
project no:	order no:	


berson
masters in UV

remarks: Mat.: SS316L acc. to AISI NW200 / 8" ANSI
 drawing no: 040-022
 size: A3