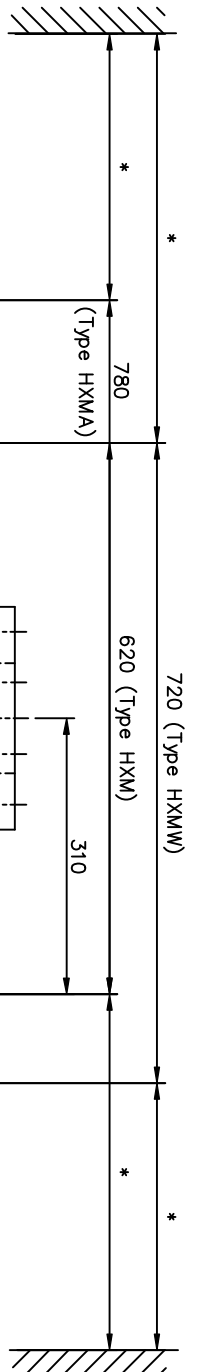
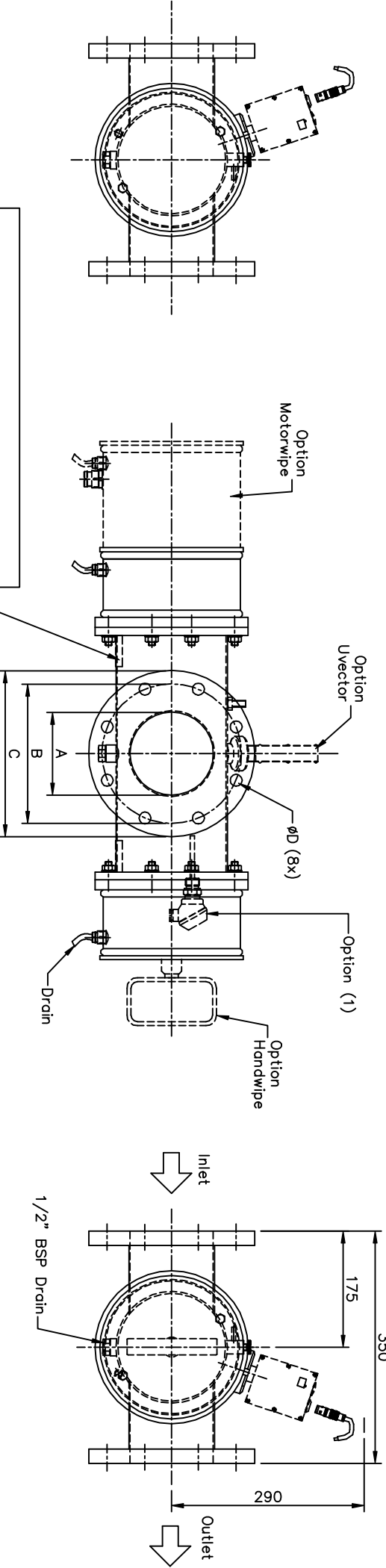
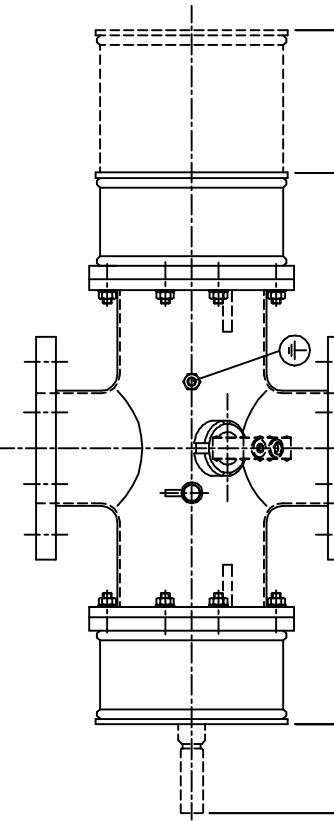


BersonInLine®

Type; 50
90
125
150
250

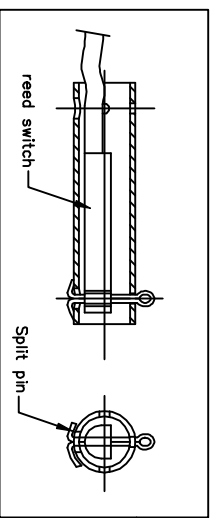


(1) PT100 position.
* Free space necessary for service and operation of manual cleaningmechanism.
* = 300mm



Flange Type	Size A	pcd. B	Dia. C	Hole ϕ D
NW125	125	210	250	ϕ 18
5" ANSI	5"	215,9	254	ϕ 22,4

Detail contactswitch wipermechanism



De Huisweg 23
8074, TL, Nuland
Tel.: NL 60 2280771 Fax.: NL 60 283755
Internet: www.berson.nl

Description:
**LAYOUT INLINE ...
CHAMBER HXM...**

Remarks:
Mat.: SS316L acc. to AISI
Connection NW125 / 5" ANSI

Customer: _____

Project no. _____

Article no. _____

Scale 1:6

Projection _____

Date: 18-04-2002

Unit: MM

Sheet 1 of 1

Size: A3

Ref. Tek.: _____

Appr.: _____

Drawn: TJB

Revision: _____

040-038-01

CONCEPT AND DIMENSIONS ARE SUBJECT TO CHANGE WITHOUT NOTICE. THE DRAWING IS OWNERS PROPERTY.