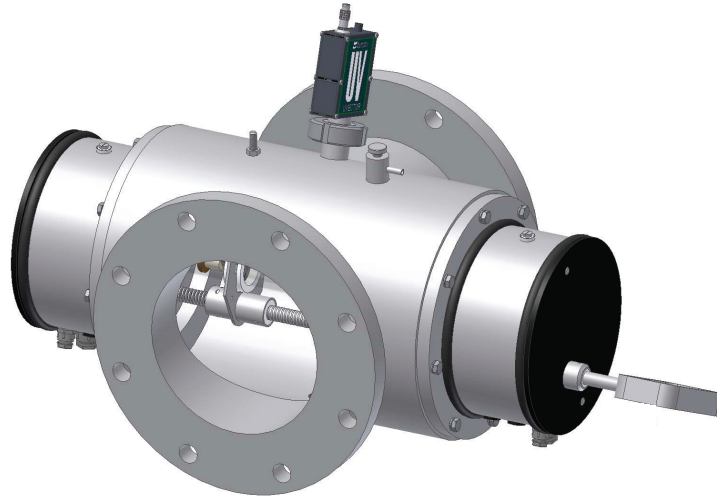


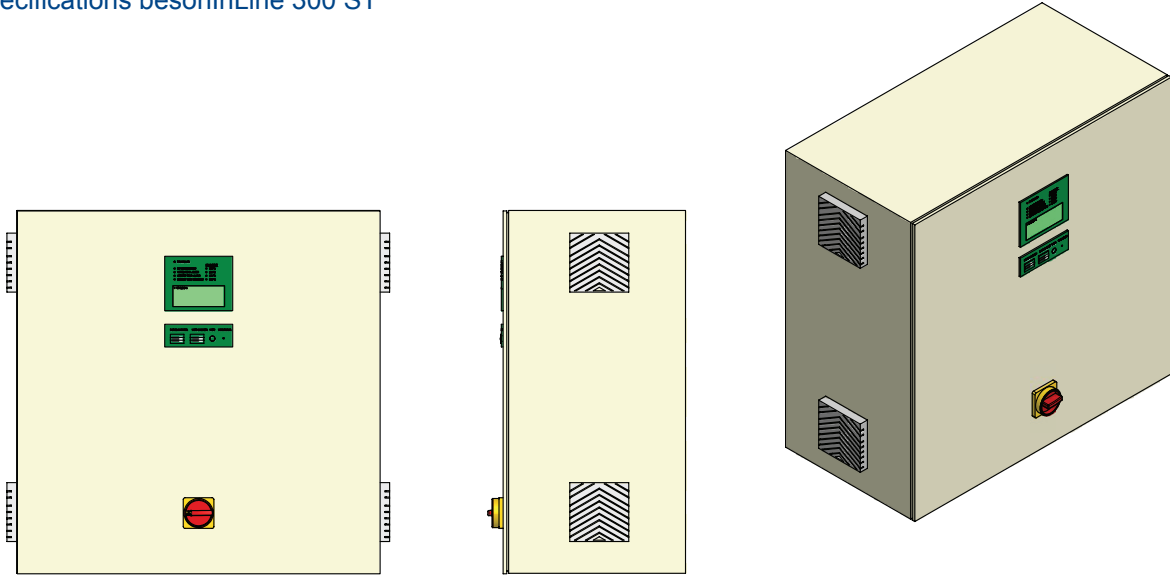
Technical Specifications bersonInLine 300 ST



Specifications:

• Material	:	SS 316L, according to AISI		
• Internal finish	:	Ra _{max} 0.8 µm		
• Connections	:	NW200 DIN2576 PN10		
• Degree of protection	:	IP 54		
• Dimensions H x W x D	:	See layout drawing		
• Weight dry	:	63 kg	-	139 lbs.
• Weight wet	:	86 kg	-	190 lbs.
• Lamp type	:	B2020H bersonMultiWave®		
• Number of lamps	:	1		
• PT100	:	yes		
• UV-sensor	:	yes, type UVector MPI		
• Manual cleaning	:	yes		
• Drain tap	:	yes		
• Air relieve valve	:	yes		
• Nominal pressure	:	10 bar	-	145 PSI
• Test pressure	:	15 bar (30 minutes)	-	218 PSI

Technical Specifications besonInLine 300 ST



Specifications:

• Material	: Painted steel		
• Colour	: Ral 7032		
• Degree of protection	: IP 54		
• Dimensions H x W x D	: 800 x 800 x 400mm	-	31.5 x 31.5 x 15.7 in.
• Weight	: 110 kg	-	243 lbs.
• Cable Cabinet - Chamber	: 5 m	-	16.4 ft.

Electric:

• Voltage	: 400V / 230V 3L+N	-	480V 3L
• Frequency (Hz)	: 50	-	60
• Connected power	: 2.4 kW (±5%)		
• Safety door switch	: Yes		
• EC-tronic ⁺ control system	: Yes		
• Energy control	: Yes		

Options:

• Stainless steel cabinet SS304	: 800 x 800 x 300	-	31.5 x 31.5 x 11.8 in.
• Different voltage (check berson for available alternatives)			

Layout drawing bersonInLine 300 ST

