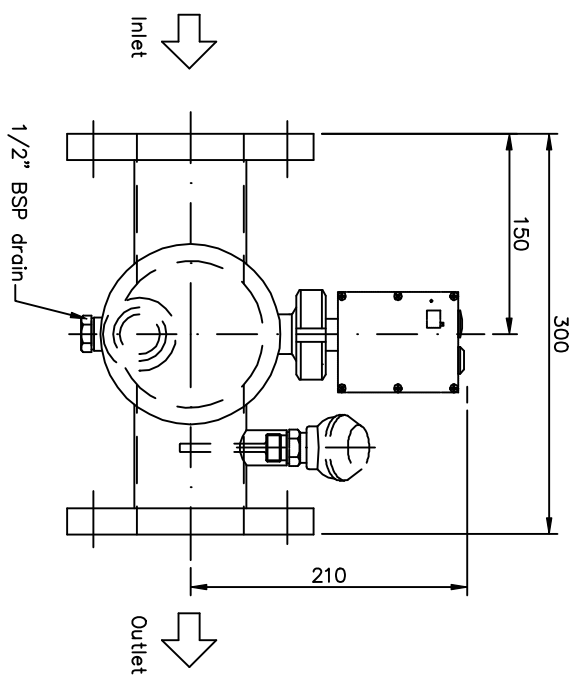
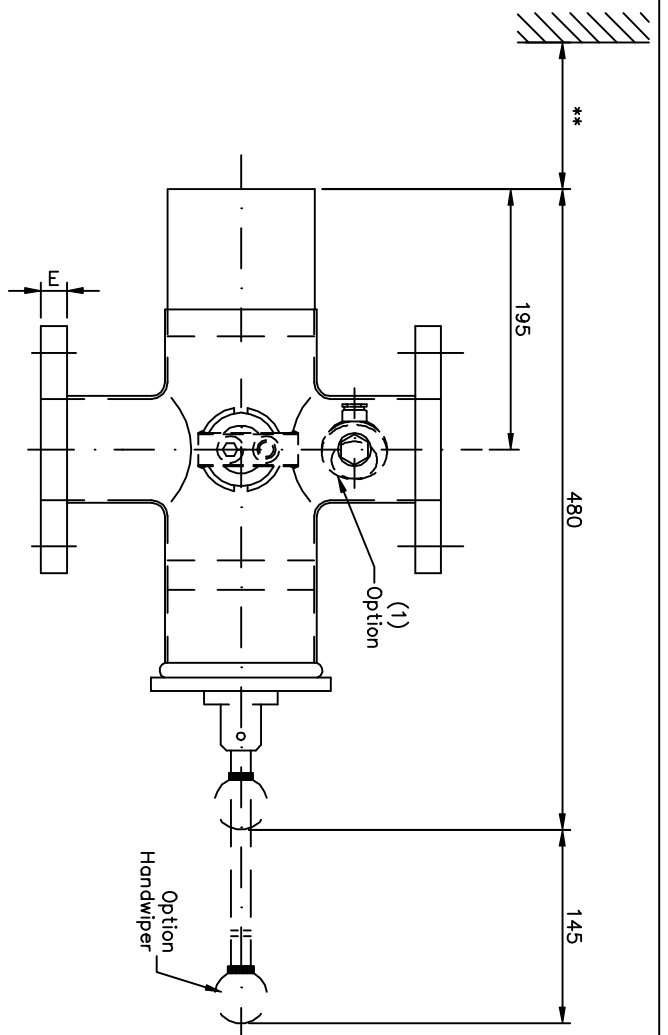
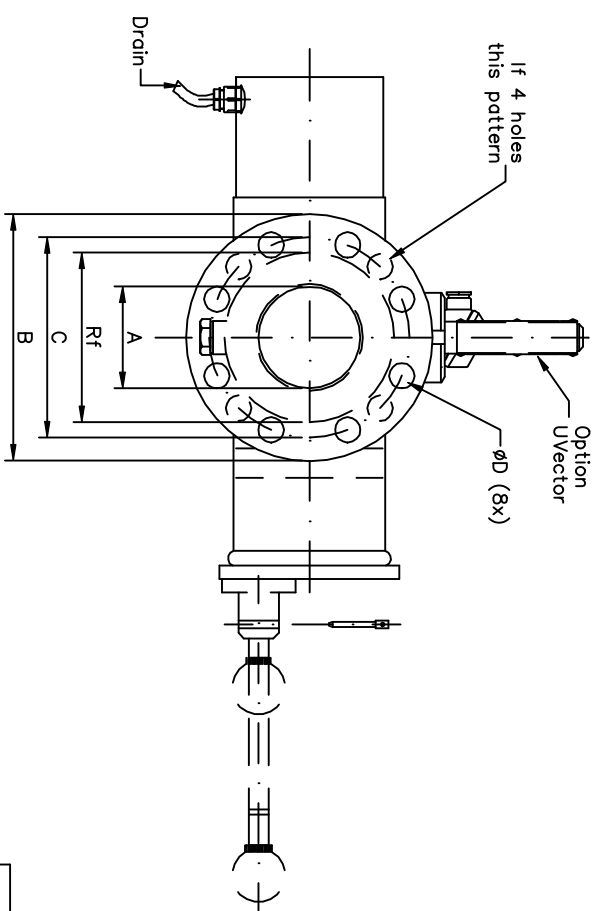


FLANGES	A	B	C	ØD	Enorm.	E	Rf	Face Height	Number of holes	UNIT
DIN 2576	NW80	200	160	18	20	8		--	8	mm
ANSI 150lbs	3"	190.5	152.4	19.1	23.9	8	127	1.6	4	mm



(1) PT100 position.

** Free space necessary for service and operation of manual cleaning mechanism. ** = 110mm

maberson
masters in uv

Dr. Hansjörg Zill
6574, TL Nümbert
Tel.: +49 42907771 Fax: +49 4293785
Internet: www.maberson.com

Description:
LAYOUT INLINE 20
CHAMBER HXF...
Remarks:
Mat.: SS316L acc. to AISI
Connection NW80 / 3" ANSI

Project no.	Scale 1:4	Ref. Tek.:	06
Customer.	Projection	Drawn: TJB	05
	Unit: MM	Date: 18-04-2002	04
	Sheet 1 of 1	Revision:	01
	Size: A3	Revision:	02

COPYING OR OTHERWISE REPRODUCING THIS DRAWING WITHOUT THE WRITTEN PERMISSION OF THE DRAWING IS EXPRESSLY PROHIBITED.