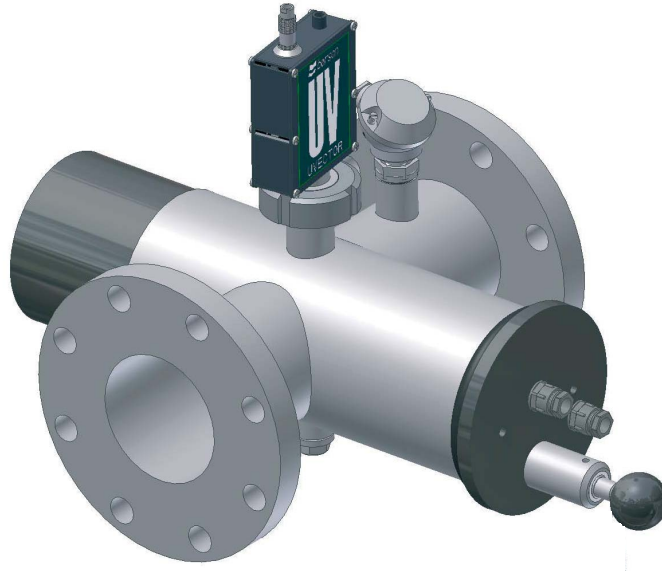


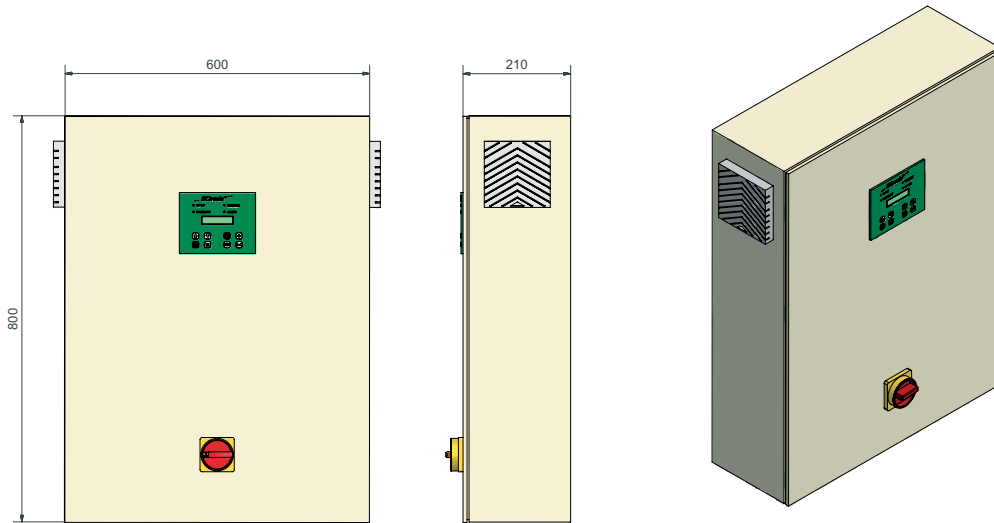
Technical Specifications bersonInLine 20 ST



Specifications:

| | | | | |
|------------------------|---|----------------------------|---|---------|
| • Material | : | SS 316L, according to AISI | | |
| • Internal finish | : | Ra _{max} 0.8 µm | | |
| • Connections | : | NW80 DIN2576 PN10 | | |
| • Degree of protection | : | IP 54 | | |
| • Dimensions H x W x D | : | See layout drawing | | |
| • Weight dry | : | 14 kg | - | 31 lbs. |
| • Weight wet | : | 15 kg | - | 33 lbs. |
| • Lamp type | : | B410 bersonMultiWave® | | |
| • Number of lamps | : | 1 | | |
| • PT100 | : | yes | | |
| • UV-sensor | : | yes, type UVVector MPI | | |
| • Manual cleaning | : | yes | | |
| • Drain tap | : | yes | | |
| • Air relieve valve | : | no | | |
| • Nominal pressure | : | 10 bar | - | 145 PSI |
| • Test pressure | : | 15 bar (30 minutes) | - | 218 PSI |

Technical Specifications besonInLine 20 ST



Specifications:

| | | | |
|---------------------------|----------------------|---|-----------------------|
| • Material | : Painted steel | | |
| • Colour | : Ral 7032 | | |
| • Degree of protection | : IP 54 | | |
| • Dimensions H x W x D | : 800 x 600 x 210 mm | - | 31.5 x 23.6 x 8.3 in. |
| • Weight | : 15 kg | - | 33 lbs. |
| • Cable Cabinet - Chamber | : 5 m | - | 8.2 ft. |

Electric:

| | | | |
|----------------------------|----------------|---|---------|
| • Voltage | : 230V, 1L+N | - | 230V 2L |
| • Frequency (Hz) | : 50 | - | 60 |
| • Connected power | : 0.4 kW (±5%) | | |
| • Safety door switch | : Yes | | |
| • EC-tronic control system | : Yes | | |

Options:

| | | | |
|---|----------------------|---|-----------------------|
| • Stainless steel cabinet SS304 | : 800 x 600 x 210 mm | - | 31.5 x 23.6 x 8.3 in. |
| • Different voltage (check berson for available alternatives) | | | |

Layout drawing bersonInLine 20 ST

