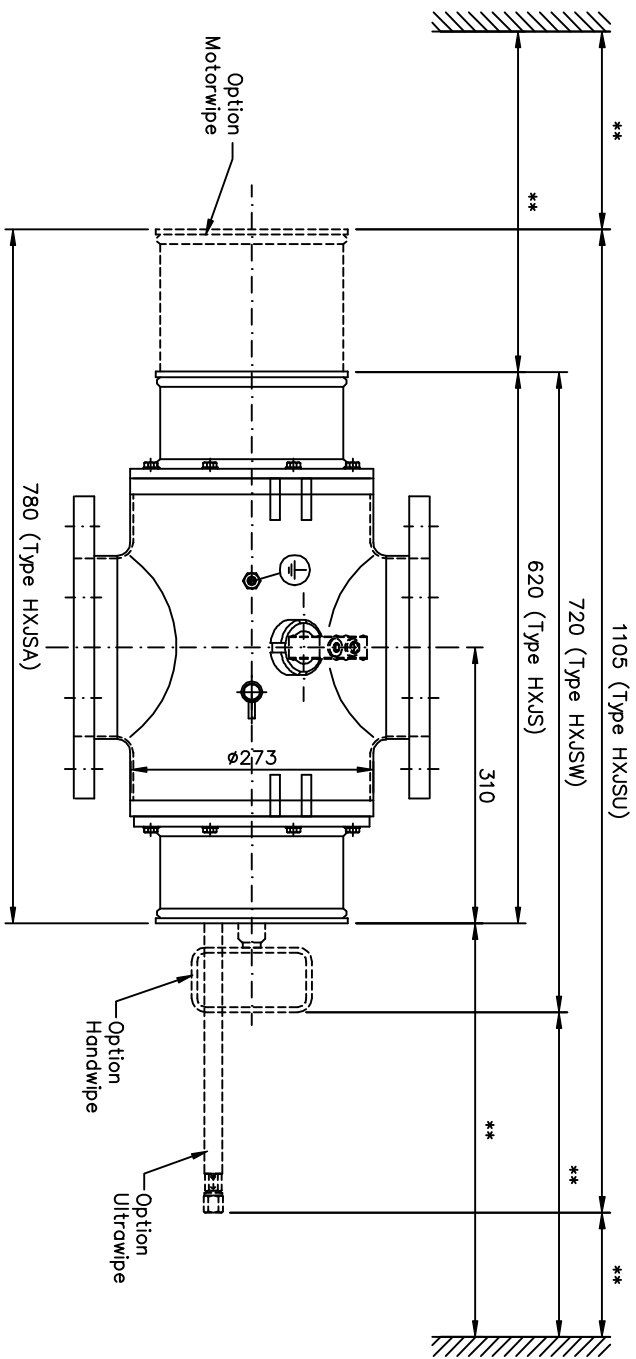
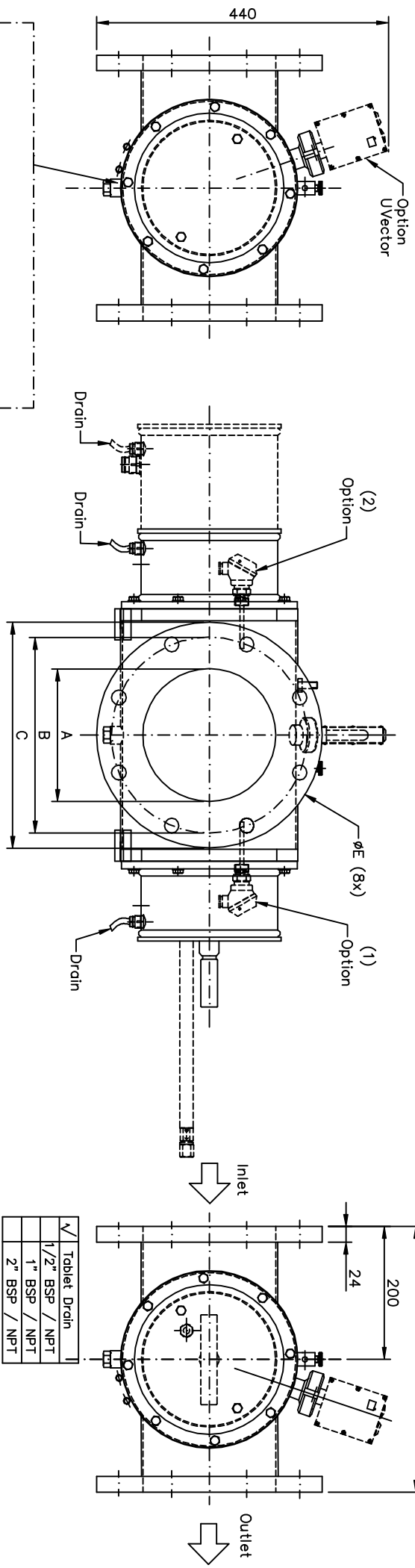


BersonInLine®
 Type: 200
 300
 450
 600
 1000
 1250

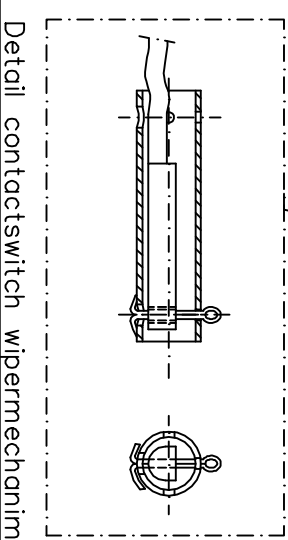


(1) PT100 position.
 (2) PT100 position for 6 lamps.
 ** Free space necessary for service and operation of manual cleaningmechanism.
 **= 300mm



✓	Tablet Drain
	1/2" BSP / NPT
	1" BSP / NPT
	2" BSP / NPT

Flange Type	I	II
Size	NW200	8"
pcd. C	295	298,5
Dia. D	340	343
Hole E	∅22	∅22,4



berson
masters in uv

De Huisweg 23
 6574, TL Nuenen
 Tel.: +31 40 2280771 Fax: +31 40 2483785
 Internet: www.berson.nl

Project no. _____
 Article no. _____
 Customer: _____

Description:
 LAYOUT INLINE ...
 CHAMBER HXJS..

Remarks:
 Mat.: SS316L acc. to ANSI
 Connection NW200 / 8" ANSI

THIS DRAWING IS THE PROPERTY OF BERTHOUD B. VAN DER WERF. IT IS TO BE USED ONLY FOR THE PROJECT AND CANNOT BE REPRODUCED OR COPIED OR OTHERWISE MADE PUBLIC IN ANY FORM OR BY ANY MEANS WITHOUT WRITTEN PERMISSION FROM BERTHOUD B. VAN DER WERF.

Scale: 1:1
 Ref. Tek.: _____
 Appr.: _____
 Drawn: TJB
 Date: 01-03-2002
 Projection: _____
 Unit: MM
 Sheet 1 of 1
 Revision: _____
 Name: _____

DRAWING NO: **040-006-01** Size: **A3**