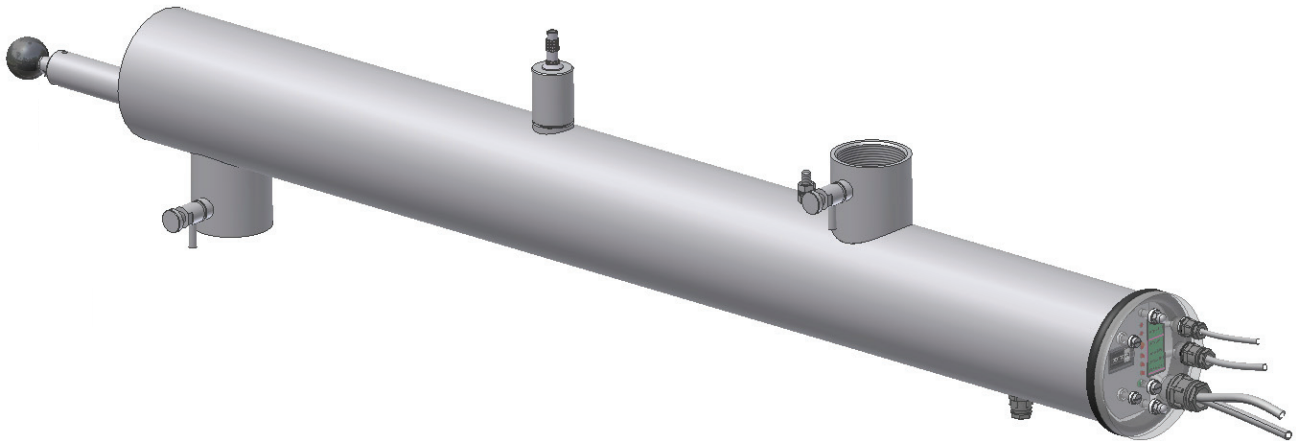


## Technical Specifications StreamLine 5000



### Specifications:

• Material	:	SS 316L, according to AISI		
• Internal finish	:	$Ra_{max} 0.8 \mu m$		
• Connections	:	2" BSP DIN2986 PN7		
• Degree of protection	:	IP 54		
• Dimensions H x W x D	:	See layout drawing		
• Weight dry	:	12 kg	-	26 lbs.
• Weight wet	:	20 kg	-	44 lbs.
• Lamp type	:	B42 VI (one side connected)		
• Number of lamps	:	1		
• Nominal pressure	:	7 bar	-	102 PSI
• Test pressure	:	10 bar (30 minutes)	-	145 PSI

### Options:

• Manual cleaning	:	see datasheet Manual Cleaning Mechanism
• UV sensor	:	see datasheet UV-sensor 4S

### Customer specified items (CSI):

- Sample taps
- Tri-clamp connection
- 2" NPT connection
- Material SS 316TI

## Technical Specifications StreamLine 5000



### Specifications:

• Material	: Polycarbonate		
• Colour	: Grey		
• Degree of protection	: IP 54		
• Dimensions H x W x D	: 180 x 254 x 111 mm	-	7.1 x 10.0 x 4.4 in.
• Weight	: 2 kg	-	4 lbs.
• Cable Cabinet - Chamber	: 2.5m	-	8.2 ft.

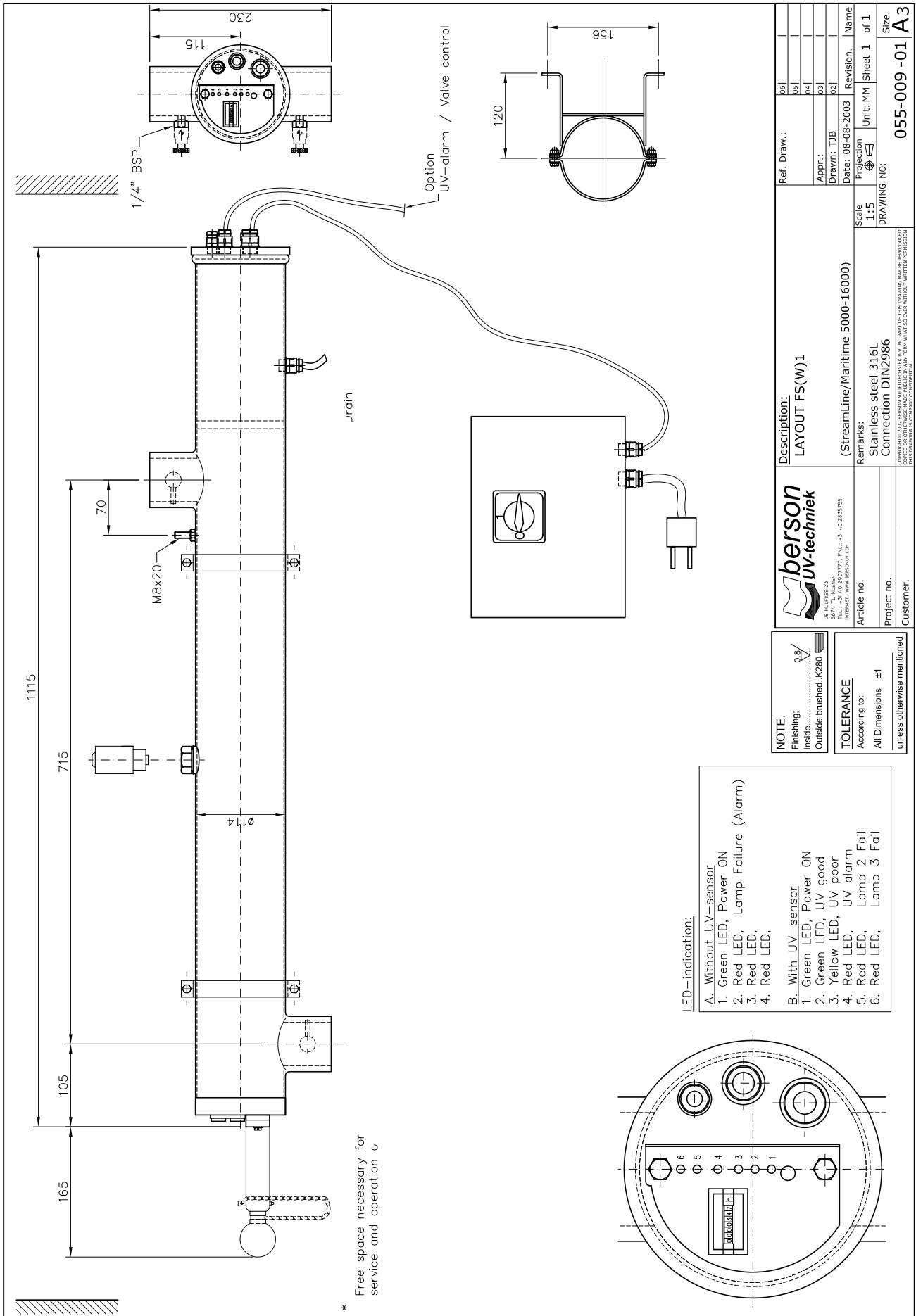
### Electric:

• Voltage	: 230V, 1L+N	-	230V 2L
• Frequency	: 50 Hz	-	60 Hz
• Connected power	: 50 W (±10%)		
• StreamLine control system	: Yes (see datasheet StreamLine control system)		

### Options:

- EC-tronic<sup>II</sup> control system
- Different voltage (check berson for avaialable alternatives)

## Layout drawing StreamLine 5000



Ref. Draw.:		06	
Appr.:		05	
Drawn:		04	
Date:		03	
Revision:		02	
Projection:			
Scale:		1:5	
Description:		LAYOUT FS(W)1	
Remarks:		(StreamLine/Maritime 5000-16000)	
Article no.:		Stainless steel 316L	
Project no.:		Connection DIN2986	
Customer:		055-009-01 A3	

<b>NOTE:</b>	
Finishing:	0.8
Inside:	.....
Outside:	brushed, K280
<b>TOLERANCE</b>	
According to:	All Dimensions ±1
unless otherwise mentioned	

- LED-indication:**
- A. Without UV-sensor
    1. Green LED, Power ON
    2. Red LED, Lamp Failure (Alarm)
    3. Red LED,
    4. Red LED,
  - B. With UV-sensor
    1. Green LED, Power ON
    2. Green LED, UV good
    3. Yellow LED, UV poor
    4. Red LED, UV alarm
    5. Red LED, Lamp 2 Fail
    6. Red LED, Lamp 3 Fail

